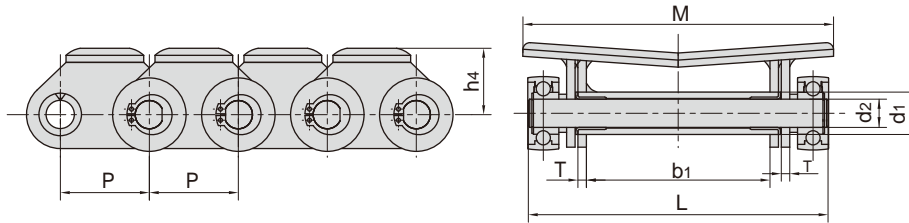
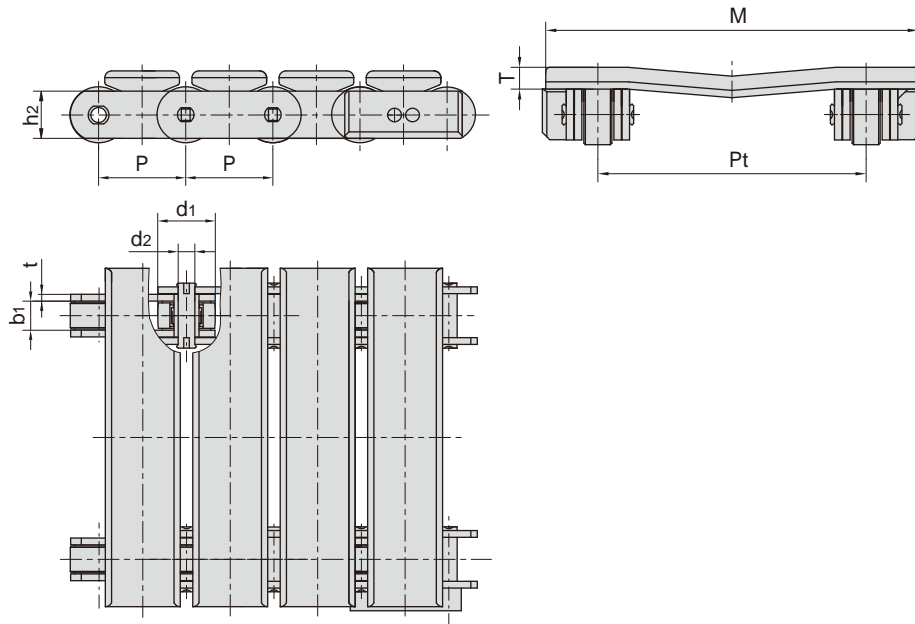


纸卷用输送链

Conveyor chains for paper mill



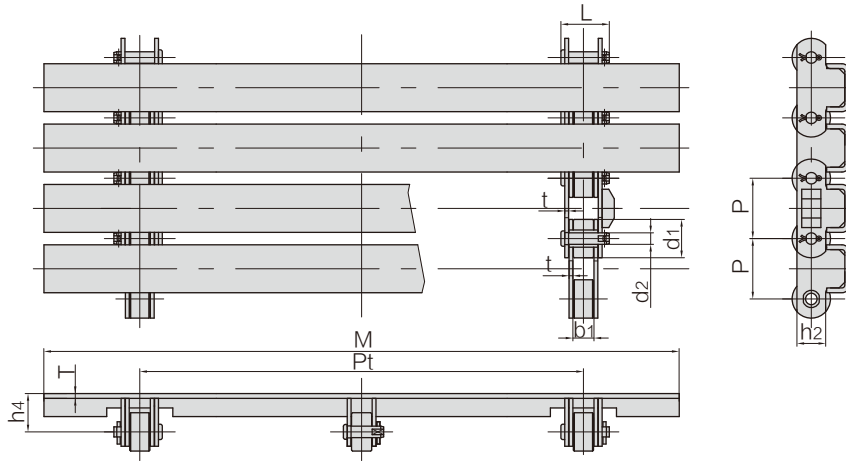
东华链号 Donghua Chain No.	节距 Pitch	套筒直径 Bush diameter	内节内宽 Width between inner plates	销轴直径 Pin diameter	销轴长度 Pin length	链板厚度 Plate thickness	附板尺寸 Attachment dimension		抗拉强度 Tensile strength	平均抗拉强度 Average tensile strength
	P	d1 max	b1 min	d2 max	L max	T max	M	h4	Q min	Q0 min
	mm	mm	mm	mm	mm	mm	mm	mm	kN/lbf	kN
63PF2	63.0	30.0	130.0	20.0	213	6.0	220.0	50.0	160.0/35968	176.0
63PF4	63.0	30.0	160.0	20.0	243	6.0	250.0	50.0	160.0/35968	176.0
63PF5	63.0	30.0	110.0	20.0	193	6.0	200.0	50.0	160.0/35968	176.0
63PF11	63.0	30.0	230.0	20.0	313	6.0	320.0	50.0	160.0/35968	176.0



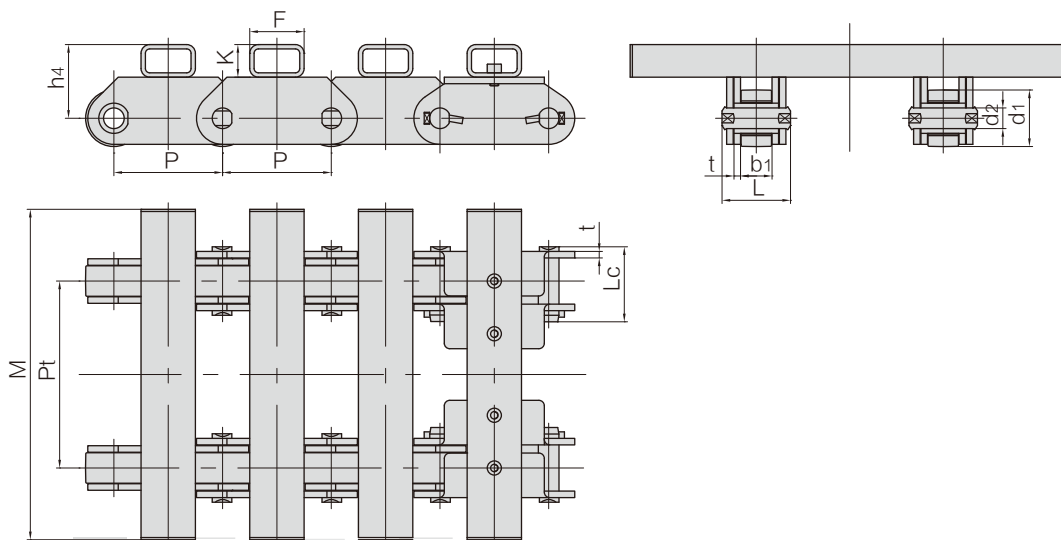
东华链号 Donghua Chain No.	节距 Pitch	内节内宽 Width between inner plates	销轴直径 Pin diameter	滚子直径 Roller diameter	链板高度 Plate depth	链板厚度 Plate thickness	附板尺寸 Attachment dimension			抗拉强度 Tensile strength
	P	b1 min	d2 max	d1 max	h2 max	t max	Pt	T	M	Q min
	mm	mm	mm	mm	mm	mm	mm	mm	mm	kN/lbf
P63F16	63.0	21.5	12.0	42.0	35.0	5.0	180.0	15.0	250.0	120.0/26994
P63F25	63.0	24.0	14.0	42.0	35.0	5.0	180.0	15.0	250.0	100.0/22495
*P63.5F23	63.5	19.0	11.5	40.0	35.0	5.0	236.0	15.0	300.0	100.0/22495

*表示滚轮不带轴承
* Means no bearing inside roller

纸卷用输送链 Conveyor chains for paper mill

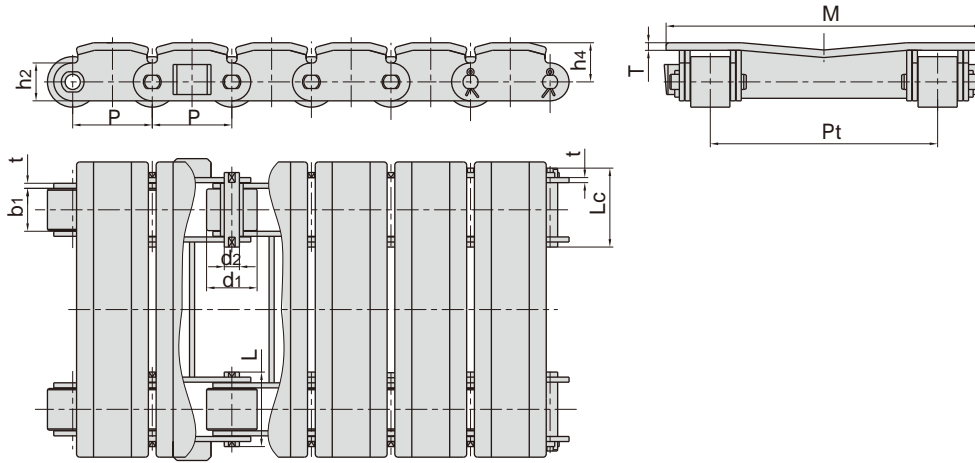


东华链号 Donghua Chain No.	节距 Pitch	滚子直径 Roller diameter	内节内宽 Width between inner plates	销轴直径 Pin diameter	销轴长度 Pin length	链板高度 Plate depth	链板厚度 Plate thickness	附板尺寸 Attachment dimension				抗拉强度 Tensile strength
	P	d1 max	b1 min	d2 max	L max	h2 max	t max	Pt	M	h4	T	Q min
	mm	mm	mm	mm	mm	mm	mm	mm	mm	mm	mm	kN/lbf
P63F40	63.0	40.0	22.0	12.0	51.0	30.0	4.0	600	800	40	5	63.0/14162

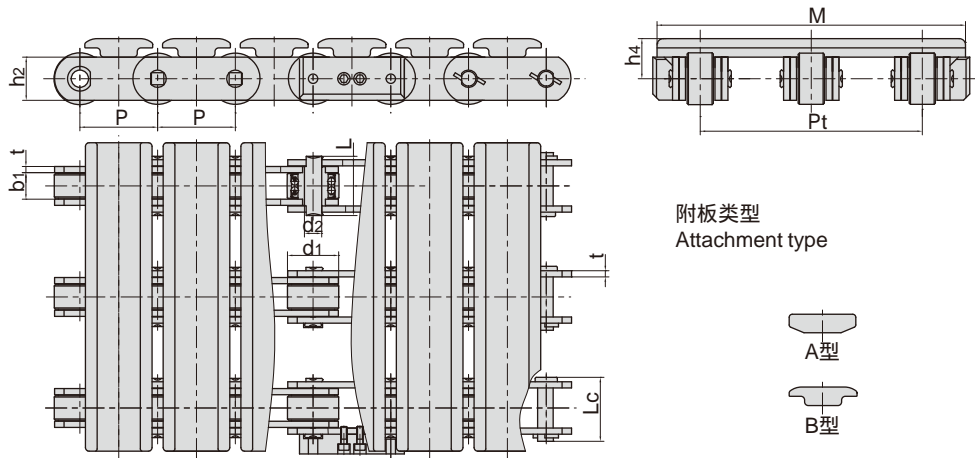


东华链号 Donghua Chain No.	节距 Pitch	滚子直径 Roller diameter	内节内宽 Width between inner plates	销轴直径 Pin diameter	销轴长度 Pin length		链板厚度 Plate thickness	附板尺寸 Attachment dimension					抗拉强度 Tensile strength
	P	d1 max	b1 min	d2 max	L max	Lc max	t max	F	K	Pt	M	h4	Q min
	mm	mm	mm	mm	mm	mm	mm	mm	mm	mm	mm	mm	kN/lbf
P100F361	100	52.0	29.0	19.0	63.0	69.0	6.0	50	30	572	804	68	200.0/44960

纸卷用输送链 Conveyor chains for paper mill



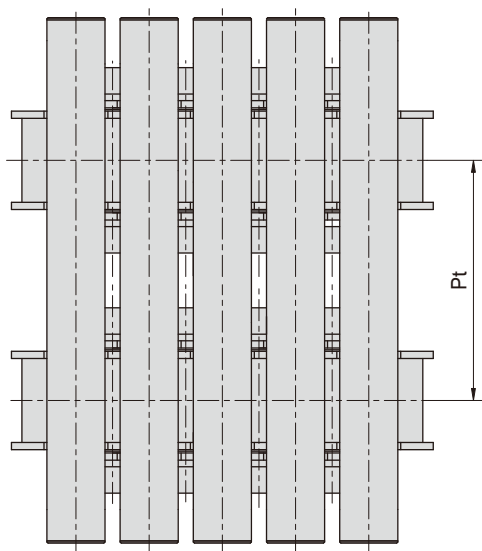
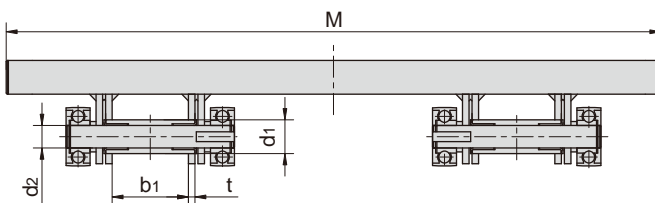
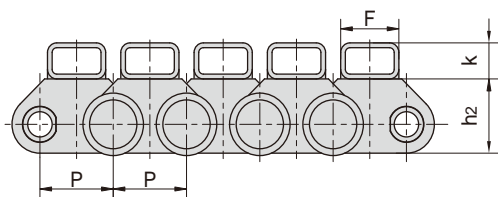
东华链号 Donghua Chain No.	节距 Pitch	滚子直径 Roller diameter	内节内宽 Width between inner plates	销轴直径 Pin diameter	销轴长度 Pin length		链板高度 Plate depth	链板厚度 Plate thickness	附板尺寸 Attachment dimension				抗拉强度 Tensile strength
	P	d1 max	b1 min	d2 max	L max	Lc max	h2 max	t max	Pt	M	h4	T	Q min kN/lbf
	mm	mm	mm	mm	mm	mm	mm	mm	mm	mm	mm	mm	
FV63F18-P-63	63.0	40.0	22.0	12.0	45.6	50.0	30.0	4.0	180	240	31	6	86.7/19490



东华链号 Donghua Chain No.	节距 Pitch	滚子直径 Roller diameter	内节内宽 Width between inner plates	销轴直径 Pin diameter	销轴长度 Pin length		链板高度 Plate depth	链板厚度 Plate thickness	附板尺寸 Attachment dimension			抗拉强度 Tensile strength	附板类型 Attachment type
	P	d1 max	b1	d2 max	L max	Lc max	h2 max	t max	Pt	M	h4	Q min kN/lbf	
	mm	mm	mm	mm	mm	mm	mm	mm	mm	mm	mm		
P63F33	63	42.0	24.0	14.0	51.0	56.0	35.0	5.0	1130	1200	32.5	100.0/22480	A
P63F45													B

纸卷用输送链

Conveyor chains for paper mill



东华链号 Donghua Chain No.	节距	内节内宽	销轴直径	套筒直径	链板高度	链板厚度	附板尺寸				抗拉强度
	Pitch	Width between inner plates	Pin diameter	Bush diameter	Plate depth	Plate thickness	Attachment dimension				Tensile strength
	P	b1 min	d2 max	d1 max	h2 max	t max	F	K	Pt	M	Q min
	mm	mm	mm	mm	mm	mm	mm	mm	mm	mm	kN/lbf
P63F23	63.0	70.0	20.0	30.0	61.8	6.0	50.0	30.0	688.0	1200.0	160.0/35993